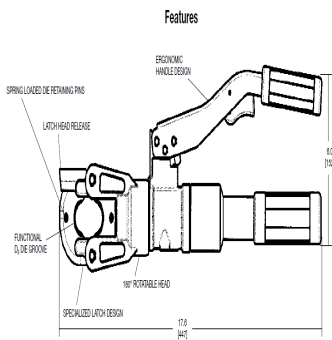




BURNDY Catalog Number
UPC Number
Description
Status

Y500CTHS
7818102703877
500 HAND HYD HIGH SPEED
Active

Web Use
BURNDY Product Line



Dimensional

Height (in) 6.0" (152 mm)

General

Weight lbs 7.8 lbs. (3.5 kg)

Product Description Hydraulic Crimp Tool, 17.6 in L, 6 tons

Approvals / Certifications

ROHS Compatible Exempt
CULUS N

Physical

Crimp Force 6 tons (5.4 metric tons)