

Pipe Straps, Pipe Clamps and Hangers

Conduit and Cable Clamps

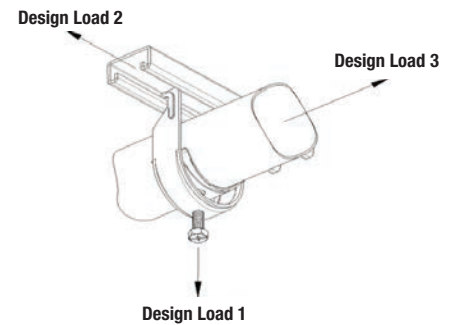
Cobra® Clamp



Standard material is commercial-grade, bright electrogalvanized steel.

Aluminum: Add the suffix **AL** to the catalogue number (i.e. CPC050AL)

Stainless steel: Add the suffix **SS6** to catalogue number (i.e.: CPC050SS6). Stainless steel bolt head is hexagonal and slotted only.



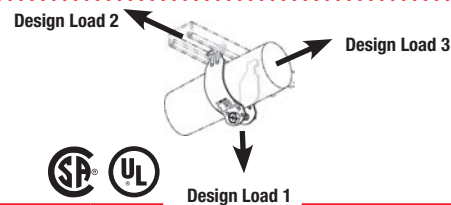
| Cat. No. | EMT Trade Size (in.) | Rigid Cond. Trade Size (in.) | Cable O.D. Range (in.) | Static Load Limit (lb.) Safety Factor = 4 | Qty. per Box | Wt./C lb. | Torque Value (ft.-lb.) |
|----------|----------------------|------------------------------|------------------------|---|--------------|-----------|------------------------|
| CPC025 | 1/4 | 1/4 | 0.312 - 0.600 | 200 | 100 | 8 | 35 |
| CPC050 | 1/2 | 1/2 | 0.650 - 0.890 | 200 | 100 | 10 | |
| CPC075 | 3/4 | 3/4 | 0.860 - 1.110 | 200 | 100 | 12 | |
| CPC100 | 1 | 1 | 1.100 - 1.400 | 200 | 100 | 14 | |
| CPC125 | 1 1/4 | 1 1/4 | 1.400 - 1.725 | 200 | 50 | 16 | |
| CPC150 | 1 1/2 | 1 1/2 | 1.690 - 1.980 | 200 | 50 | 18 | |
| CPC200 | 2 | 2 | 1.980 - 2.576 | 200 | 50 | 24 | |
| CPC250 | 2 1/2 | 2 1/2 | 2.576 - 3.060 | 350* | 25 | 36 | |
| CPC300 | 3 | 3 | 3.060 - 3.626 | 350* | 25 | 42 | |
| CPC350 | 3 1/2 | 3 1/2 | 3.626 - 4.126 | 350* | 25 | 46 | |
| CPC400 | 4 | 4 | 4.126 - 4.626 | 350* | 25 | 50 | |

| Design Load 1 Static Load Limit lb. (kg) | Design Load 2 lb. (kg) | Design Load 3 lb. (kg) |
|--|------------------------|------------------------|
| 200 (91) | 50 (23) | 50 (23) |
| 200 (91) | | |
| 200 (91) | | |
| 200 (91) | | |
| 200 (91) | | |
| 200 (91) | | |
| 350 (159) | | |
| 350 (159) | | |
| 350 (159) | | |
| 350 (159) | | |
| 350 (159) | | |
| 350 (159) | | |
| 350 (159) | | |

* Aluminum product has a static load of 250 lb.

Loc-King Cobra™ Clamp

- Superior design load capabilities for heavy-duty applications
- Pre-set torque prevents over-tightening
- Anti-vibration nut
- Steel construction with GoldGalv® finish



| Cat. No. | EMT Trade Size (in.) | Rigid Cond. Trade Size (in.) | Cable O.D. Range (in.) | Static Load Limit (lb.) Safety Factor = 4 | Qty. per Box | Wt./C lb. | Torque Value (ft.-lb.) |
|----------|----------------------|------------------------------|------------------------|---|--------------|-----------|------------------------|
| LKCPC050 | 1/2 | 1/2 | 0.650 - 0.890 | 100 | 15 | 10 | 35 |
| LKCPC075 | 3/4 | 3/4 | 0.860 - 1.110 | 100 | 16 | 12 | |
| LKCPC100 | 1 | 1 | 1.100 - 1.400 | 50 | 19 | 14 | |
| LKCPC125 | 1 1/4 | 1 1/4 | 1.400 - 1.725 | 50 | 23 | 16 | |
| LKCPC150 | 1 1/2 | 1 1/2 | 1.690 - 1.980 | 50 | 27 | 18 | |
| LKCPC200 | 2 | 2 | 1.980 - 2.576 | 50 | 38 | 24 | |
| LKCPC250 | 2 1/2 | 2 1/2 | 2.576 - 3.060 | 25 | 44 | 36 | |
| LKCPC300 | 3 | 3 | 3.060 - 3.626 | 25 | 53 | 42 | |
| LKCPC350 | 3 1/2 | 3 1/2 | 3.626 - 4.126 | 25 | 58 | 46 | |
| LKCPC400 | 4 | 4 | 4.126 - 4.626 | 25 | 66 | 50 | |

| Design Load 1 Static Load Limit lb. (kg) | Design Load 2 lb. (kg) | Design Load 3 lb. (kg) |
|--|------------------------|------------------------|
| 300 (136) | 50 (23) | 50 (23) |
| 300 (136) | | |
| 300 (136) | | |
| 300 (136) | | |
| 300 (136) | | |
| 300 (136) | | |
| 450 (204) | | |
| 450 (204) | | |
| 450 (204) | | |
| 450 (204) | | |
| 450 (204) | | |
| 450 (204) | | |
| 450 (204) | | |