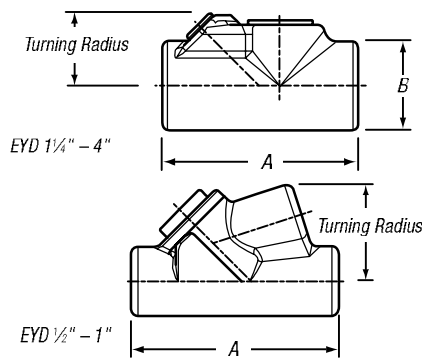


PVC-Coated Conduit Bodies and Fittings

Restrict the passage of gases, vapors and flames at atmospheric pressure and normal ambient temperatures.

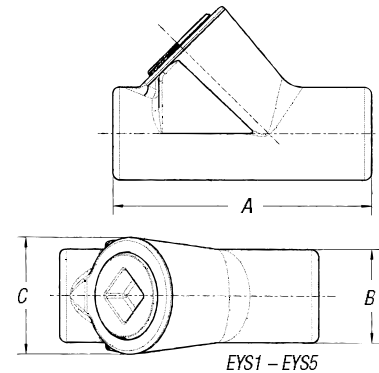
Ocal-Blue® Double-Coat Sealing Fittings

- Prevents pre-compression or “pressure piling” in conduit systems
- Gray iron alloy body construction coated with nominal .002" (2 mil) blue urethane on both interior and exterior
- Nominal .040" (40 mil) PVC coating bonded to exterior — available in gray, white, blue or custom colors
- Explosion-proof, dust-ignition-proof and suitable for use in the following environments:†
 - Class I, Division 1 & 2, Groups C, D
 - Class II, Division 1, Groups E, F, G
 - Class III, Division 1 & 2



EYD Series Drain Sealing Fittings

FEMALE CAT. NO.	MALE & FEMALE CAT. NO.	PIPE SIZE IN. METRIC SIZE DESIGNATOR*	DIMENSIONS IN. MM		TURNING RADIUS IN. MM
			A	B	
EYD1-	EYD16-	1/2	3.81	1.50	1.75
		16	96.77	38.10	44.45
EYD2-	EYD26-	3/4	4.08	1.75	1.98
		21	103.63	44.45	50.29
EYD3-	EYD36-	1	4.85	2.19	2.19
		27	123.19	55.63	55.63
EYD4-	EYD46-	1 1/4	5.00	2.25	1.80
		35	127.00	57.15	45.72
EYD5-	EYD56-	1 1/2	5.44	2.44	2.00
		41	138.18	61.98	50.80
EYD6-	EYD66-	2	6.25	3.00	2.32
		53	158.75	76.20	58.93
EYD7-	EYD76-	2 1/2	7.50	3.50	2.69
		63	190.50	88.90	68.33
EYD8-	EYD86-	3	8.50	4.25	3.15
		78	215.90	107.95	80.01
EYD9-	EYD96-	3 1/2	9.19	4.75	3.38
		91	233.43	120.65	85.85
EYD10-	EYD106-	4	9.75	5.25	3.64
		103	247.65	133.35	92.46



EYS Series Sealing Fittings

FEMALE CAT. NO.	MALE & FEMALE CAT. NO.	PIPE SIZE IN. METRIC SIZE DESIGNATOR*	DIMENSIONS IN. MM			TURNING RADIUS IN. MM
			A	B	C	
Vertical Only						
EYS1-	EYS16-	1/2	3.31	1.25	1.50	1.66
		16	84.07	31.75	38.10	42.16
EYS2-	EYS26-	3/4	3.65	1.50	1.75	1.96
		21	92.71	38.10	44.45	49.78
EYS3-	EYS36-	1	4.25	1.75	2.19	2.40
		27	107.95	44.45	55.63	60.96
Vertical or Horizontal						
EYS11-	EYS116-	1/2	3.63	1.25	—	1.09
		16	92.20	31.75	—	27.69
EYS21-	EYS216-	3/4	3.66	1.50	—	1.25
		21	92.96	38.10	—	31.75
EYS31-	EYS316-	1	4.25	1.75	—	1.59
		27	107.95	44.45	—	40.39
EYS4-	EYS46-	1 1/4	5.00	2.25	—	1.81
		35	127.00	57.15	—	45.97
EYS5-	EYS56-	1 1/2	5.44	2.44	—	2.00
		41	138.18	61.98	—	50.80
EYS6-	EYS66-	2	6.25	3.00	—	2.31
		53	158.75	76.20	—	58.67
EYS7-	EYS76-	2 1/2	7.50	3.50	—	2.56
		63	190.50	88.90	—	65.02
EYS8-	EYS86-	3	8.50	4.25	—	3.09
		78	215.90	107.95	—	78.49
EYS9-	EYS96-	3 1/2	9.19	4.75	—	3.38
		91	233.43	120.65	—	85.85
EYS10-	EYS106-	4	9.75	5.25	—	3.53
		103	247.65	133.35	—	89.66

* Metric size designator (ANSI C80.1-1994).

** EYSX and EYDX are expanded-fill styles. When ordering, add X to part number.

For example: EYSX31-G, EYDX31-B.

† Ratings prior to PVC coating.