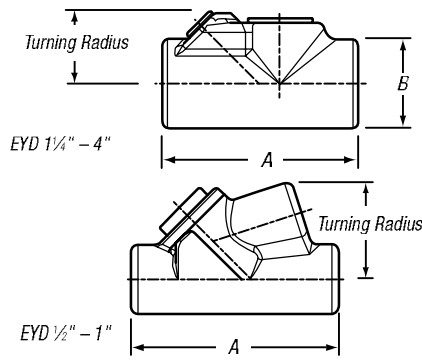


PVC-Coated Conduit Bodies and Fittings

Restrict the passage of gases, vapors and flames at atmospheric pressure and normal ambient temperatures.

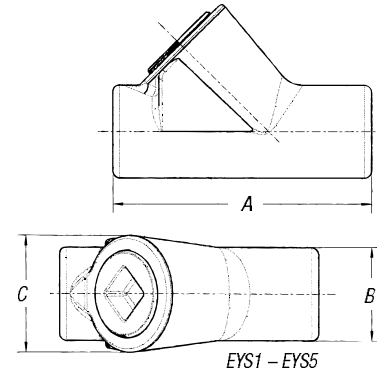
Ocal-Blue® Double-Coat Sealing Fittings

- Prevents pre-compression or “pressure piling” in conduit systems
- Gray iron alloy body construction coated with nominal .002" (2 mil) blue urethane on both interior and exterior
- Nominal .040" (40 mil) PVC coating bonded to exterior — available in gray, white, blue or custom colors
- Explosion-proof, dust-ignition-proof and suitable for use in the following environments:†
 - Class I, Division 1 & 2, Groups C, D
 - Class II, Division 1, Groups E, F, G
 - Class III, Division 1 & 2



EYD Series Drain Sealing Fittings

FEMALE CAT. NO.	MALE & FEMALE CAT. NO.	PIPE SIZE IN. METRIC SIZE DESIGNATOR*	DIMENSIONS IN. MM		TURNING RADIUS IN. MM
			A	B	
EYD1-	EYD16-	1/2 16	3.81 96.77	1.50 38.10	1.75 44.45
EYD2-	EYD26-	3/4 21	4.08 103.63	1.75 44.45	1.98 50.29
EYD3-	EYD36-	1 27	4.85 123.19	2.19 55.63	2.19 55.63
EYD4-	EYD46-	1 1/4 35	5.00 127.00	2.25 57.15	1.80 45.72
EYD5-	EYD56-	1 1/2 41	5.44 138.18	2.44 61.98	2.00 50.80
EYD6-	EYD66-	2 53	6.25 158.75	3.00 76.20	2.32 58.93
EYD7-	EYD76-	2 1/2 63	7.50 190.50	3.50 88.90	2.69 68.33
EYD8-	EYD86-	3 78	8.50 215.90	4.25 107.95	3.15 80.01
EYD9-	EYD96-	3 1/2 91	9.19 233.43	4.75 120.65	3.38 85.85
EYD10-	EYD106-	4 103	9.75 247.65	5.25 133.35	3.64 92.46



EYS Series Sealing Fittings

FEMALE CAT. NO.	MALE & FEMALE CAT. NO.	PIPE SIZE IN. METRIC SIZE DESIGNATOR*	DIMENSIONS IN. MM			TURNING RADIUS IN. MM
			A	B	C	
Vertical Only						
EYS1-	EYS16-	1/2 16	3.31 84.07	1.25 31.75	1.50 38.10	1.66 42.16
EYS2-	EYS26-	3/4 21	3.65 92.71	1.50 38.10	1.75 44.45	1.96 49.78
EYS3-	EYS36-	1 27	4.25 107.95	1.75 44.45	2.19 55.63	2.40 60.96
Vertical or Horizontal						
EYS11-	EYS116-	1/2 16	3.63 92.20	1.25 31.75	—	1.09 27.69
EYS21-	EYS216-	3/4 21	3.66 92.96	1.50 38.10	—	1.25 31.75
EYS31-	EYS316-	1 27	4.25 107.95	1.75 44.45	—	1.59 40.39
EYS4-	EYS46-	1 1/4 35	5.00 127.00	2.25 57.15	—	1.81 45.97
EYS5-	EYS56-	1 1/2 41	5.44 138.18	2.44 61.98	—	2.00 50.80
EYS6-	EYS66-	2 53	6.25 158.75	3.00 76.20	—	2.31 58.67
EYS7-	EYS76-	2 1/2 63	7.50 190.50	3.50 88.90	—	2.56 65.02
EYS8-	EYS86-	3 78	8.50 215.90	4.25 107.95	—	3.09 78.49
EYS9-	EYS96-	3 1/2 91	9.19 233.43	4.75 120.65	—	3.38 85.85
EYS10-	EYS106-	4 103	9.75 247.65	5.25 133.35	—	3.53 89.66

* Metric size designator (ANSI C80.1-1994).

** EYSX and EYDX are expanded-fill styles. When ordering, add X to part number.

For example: EYSX31-G, EYDX31-B.

† Ratings prior to PVC coating.